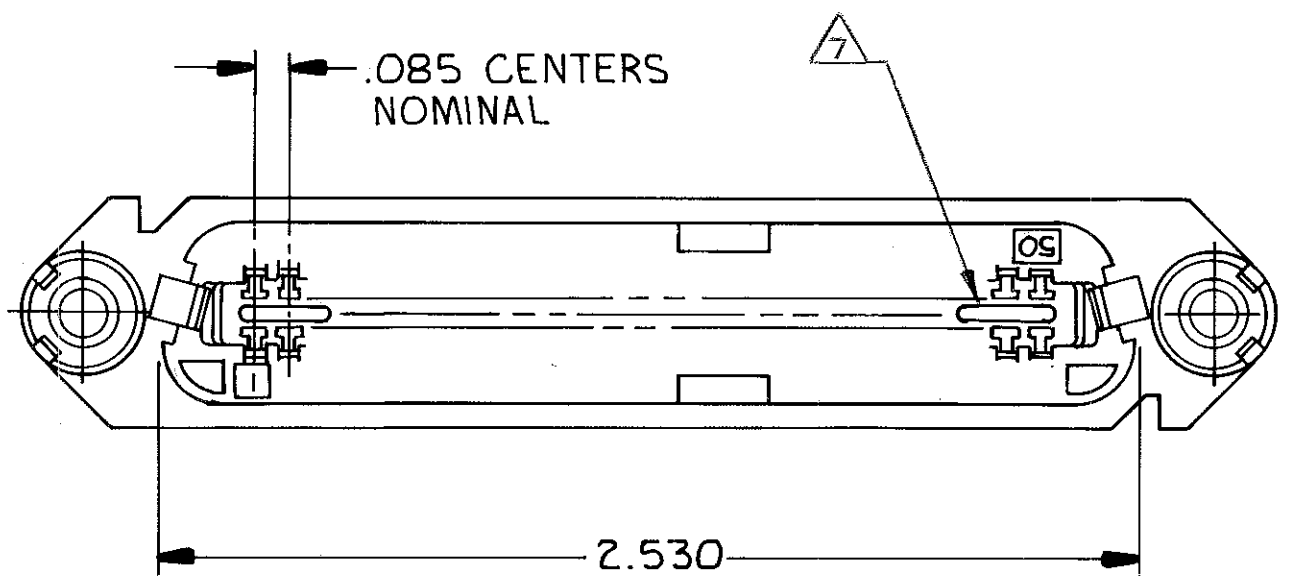
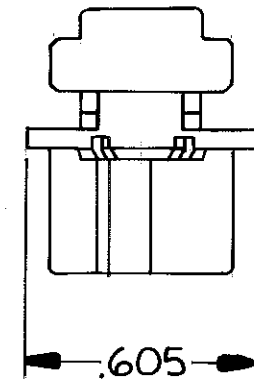
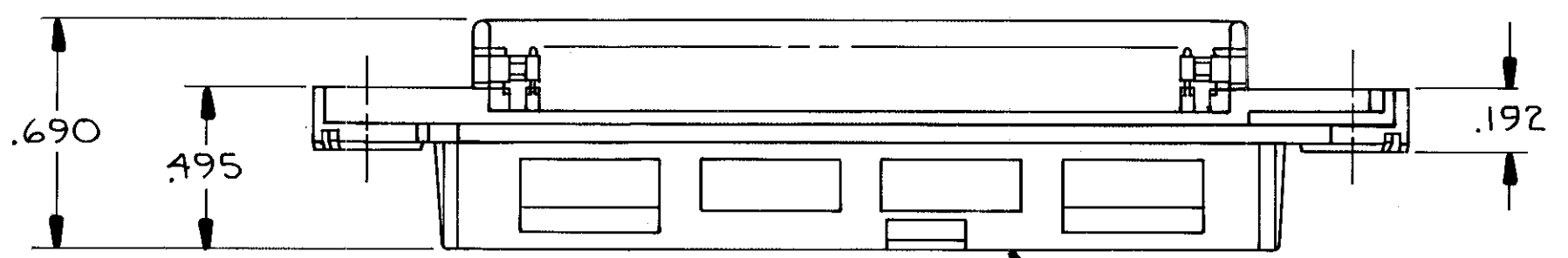
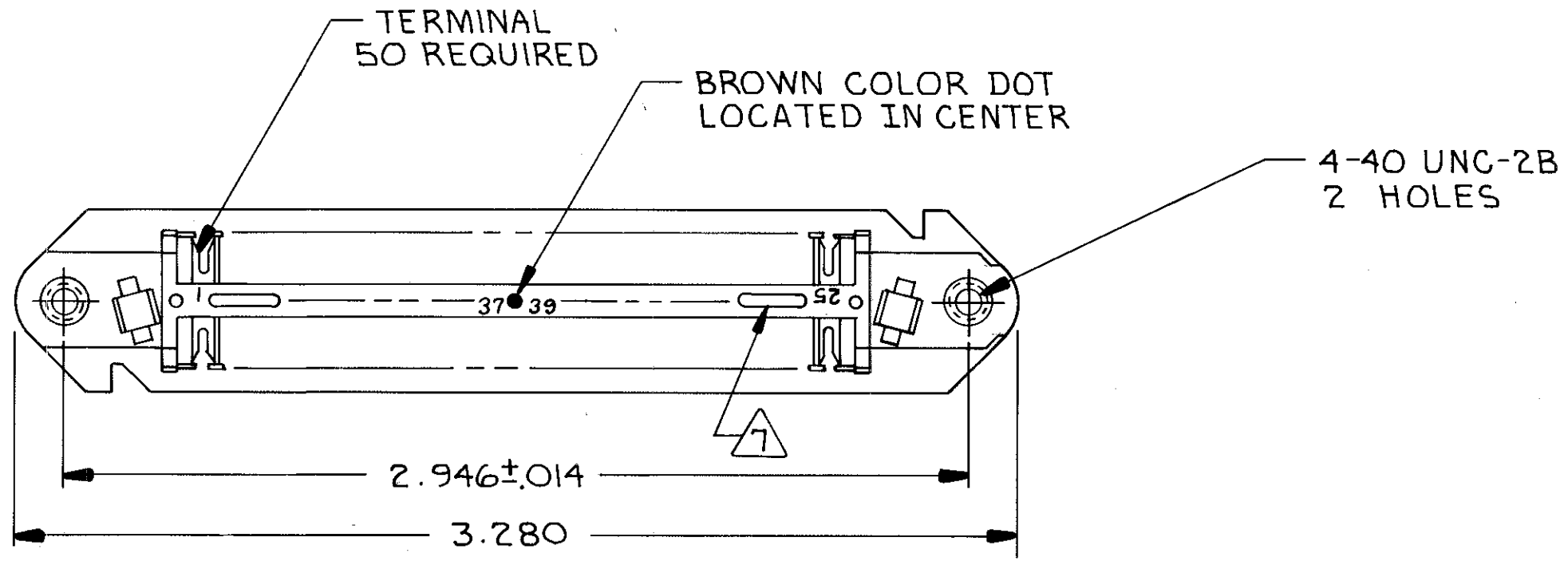


THIS DRAWING IS UNPUBLISHED. RELEASED FOR PUBLICATION, 19
 © COPYRIGHT 19 BY AMP INCORPORATED, HARRISBURG, PA. ALL INTERNATIONAL RIGHTS RESERVED. AMP PRODUCTS MAY BE COVERED BY U.S. AND FOREIGN PATENTS AND/OR PATENTS PENDING.

REVISIONS					DATE	APPROVED
P	F	ZONE	LTR	DESCRIPTION		
		C		REVISED QUIC-0040-01	3-19-01	DD EB

1. THE CONTACT SURFACES OF THE TERMINALS ARE COATED WITH LUBRICANT.
 2. ALL DIMENSIONS SHOWN ARE MAXIMUM UNLESS OTHERWISE SPECIFIED.
 3. MATERIAL: HOUSING- POLYPHENYLENE OXIDE, BLACK. TERMINALS-GOLD OVER NICKEL PLATED HIGH STRENGTH COPPER ALLOY.
 4. WIRE SIZE: 22 AWG SOLID OR STRANDED COPPER CONDUCTORS. INSULATION DIAMETER OF .045-.056 IS ACCEPTABLE FOR MOST APPLICATIONS.
 5. ASSEMBLIES BULK PACKAGED IN UNITS OF 100 IN A NON-STATIC GENERATING PACKAGING MATERIAL.
 6. SEE PRODUCT SPECIFICATION 108-6005 FOR PERFORMANCE SPECIFICATIONS.
7. CORING MAY OR MAY NOT APPEAR AND IS AT THE DISCRETION OF AMP INCORPORATED.



555227-1	555227-1
PACKAGED	PART NO

UNLESS OTHERWISE SPECIFIED DIMENSIONS ARE IN INCHES. TOLERANCES ON: DECIMALS ± — ANGLES ± —	CONTRACT NO		AMP AMP INCORPORATED Harrisburg, Pa. 17105		
	DR <i>C. Yates</i> 4-24-87				
	MATERIAL	CHK <i>B. Fox</i> 5-7-87		NAME RECEPTACLE ASSEMBLY, 50 POSITION, F SLOT, CHAMP-LOK®	
		APPD <i>E. March</i> 5-8-87			
FINISH	APPD <i>H. Jute</i> 5-8-87		SIZE	FSCM NO	DRAWING NO
	DSGN APPD		C	00779	555227
OTHER APPD		SCALE	2:1		SHEET 1 OF 1

CUSTOMER DRAWING

WAS 87-1210-23-1

555227